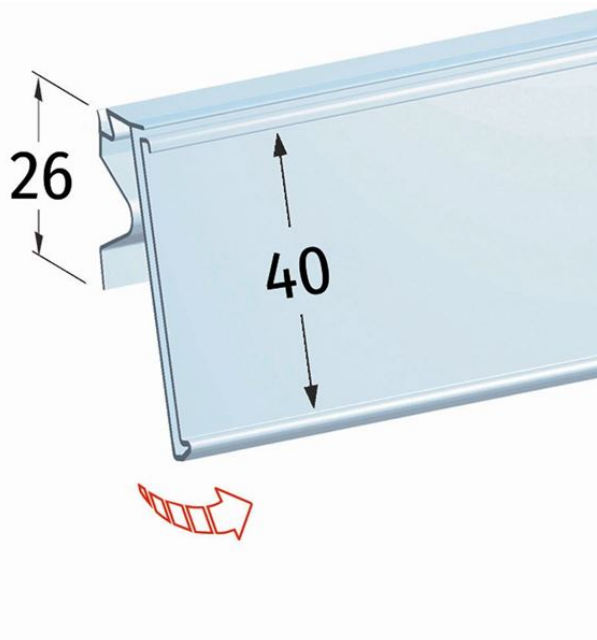


Product sheet:

**ARNEG SHELF FLIP-UP DATASTRIP - LABEL H.MAX 40 MM (with finger)**

- Flip-up datastrip, for labels H.max 40 mm, with finger
- Rear size: 26 mm
- For **Arneg** shelf

**Family details**

Code	H. rear flap	Label H.max	Colour	Length	Pack
DS05540TR1245	26 mm	40 mm	Transparent	1245 mm	60 pcs

**Synco S.r.l.**

21046 GURONE DI MALNATE (VA) - Via G. Pastore, 30  
Tel. 0332/420.711 (10 linee ric. Autom.) Fax 0332/425.247  
e-mail: sales@syncospa.com

Codice Fiscale N. 03045040379  
Partita IVA N. 01207730126  
C.C.I.A.A. Varese N. 163413 R.E.A.  
Reg.Imp. Di Varese N. 03045040379  
Numero Mecc. VA010424