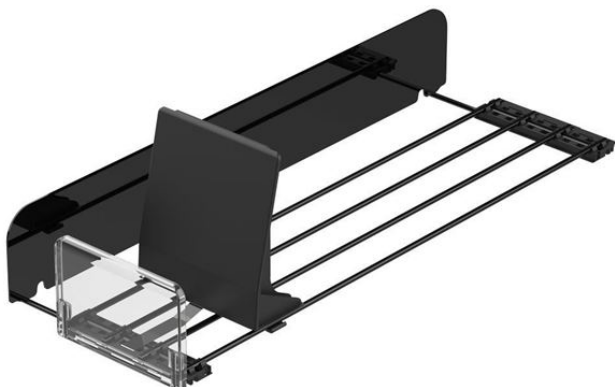


Product sheet:

## PROXI ON SHELF PLATE (large module / H.80 mm stopper / high pusher / medium force)



**Wide** metal wire platform with:

- 1 **metal plate** telescopic divider
- High transparent stop front H.80 mm
- High pusher H.130 mm with medium force spring (580 mm variant with 2 springs)

• **Recommended for:** "fresh-cut & ready-to-eat", soups, vegan products, cold cuts (ham, etc.), sliced cheese packages, hot dogs, smoked salmon, fresh filled pasta, frozen foods, candies

### Family details

Code	P.	No. springs	Force	Colour	Pack
PRE550380F2	380 mm	1 spring	Medium	Black	10 pcs
PRE550480F2	480 mm	1 spring	Medium	Black	10 pcs
PRE550580F2	580 mm	2 springs	Medium	Black	10 pcs

#### Synco S.r.l.

21046 GURONE DI MALNATE (VA) - Via G. Pastore, 30  
 Tel. 0332/420.711 (10 linee ric. Autom.) Fax 0332/425.247  
 e-mail: [sales@syncospa.com](mailto:sales@syncospa.com)

Codice Fiscale N. 03045040379  
 Partita IVA N. 01207730126  
 C.C.I.A.A. Varese N. 163413 R.E.A.  
 Reg.Imp. Di Varese N. 03045040379  
 Numero Mecc. VA010424